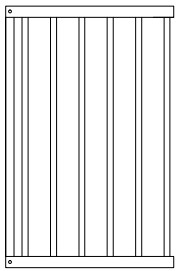
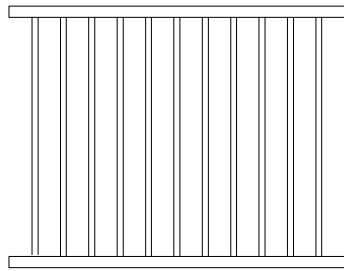


(A) x1	(B) M6x50 x10	(C) M6x45 x2	(D) Ø10x13 x4	(E) M4x30 x4	(F) M5x40 x2
(G) M5 x2	(H) M5 x2	(I) 18x120x2 x2	(J) Ø10x25 x2	(K) x2	(L) x2



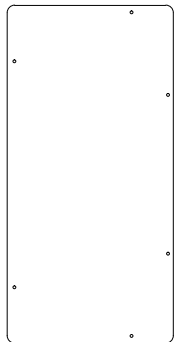
① x2



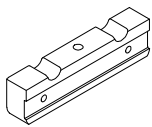
②



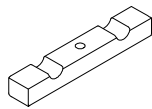
③



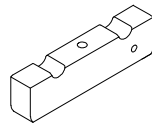
④



⑤ x2



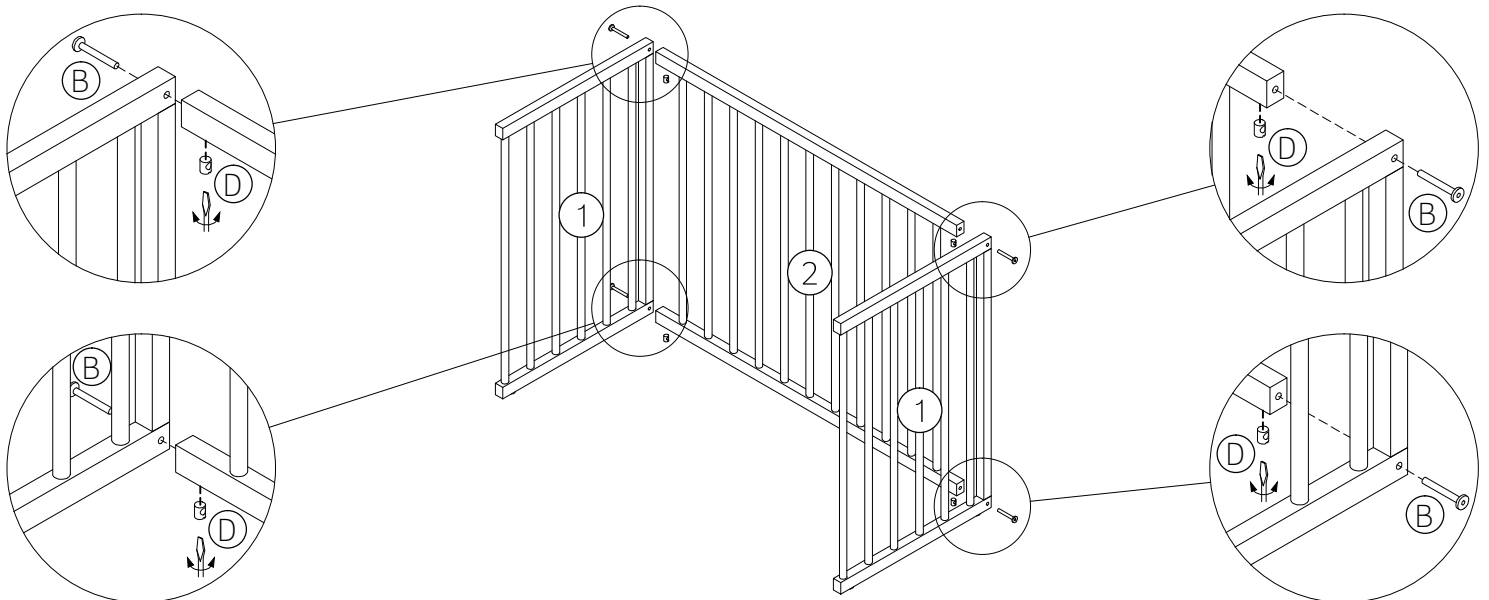
⑥ x6

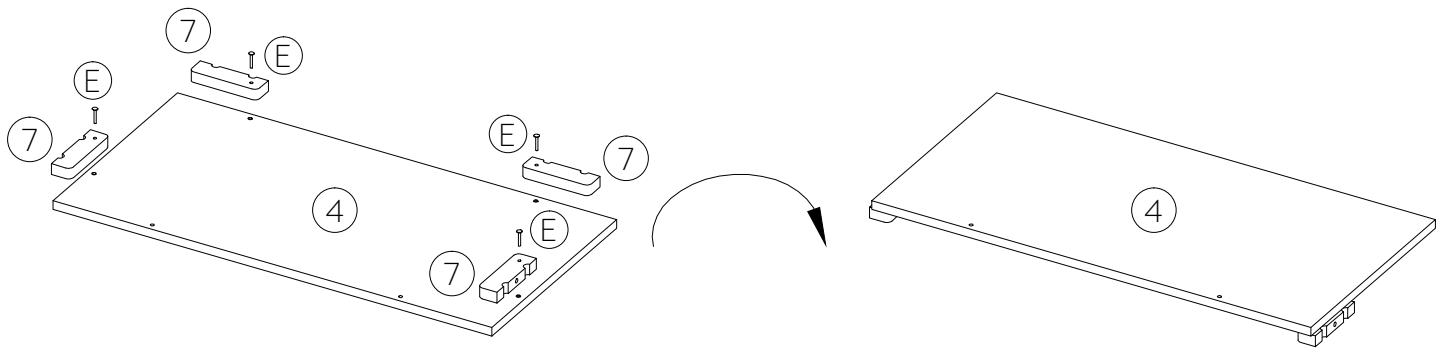


⑦ x4

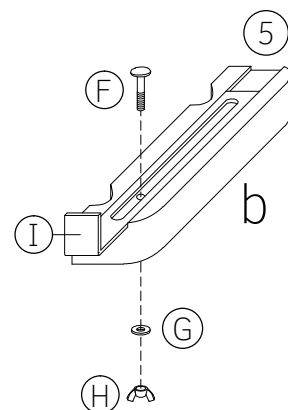
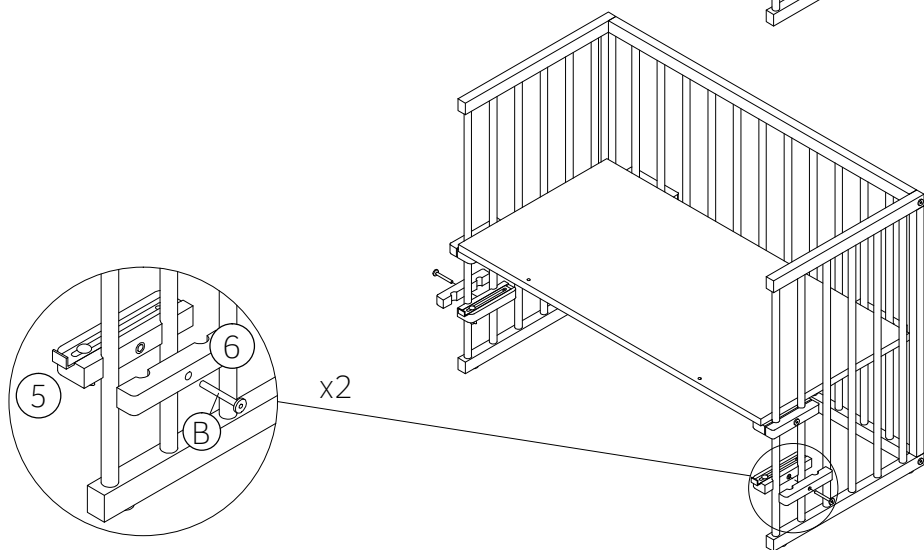
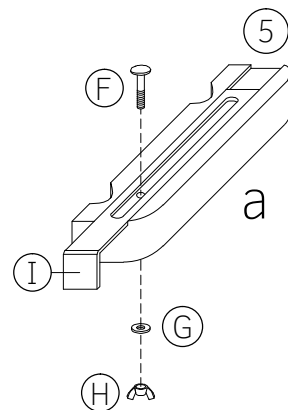
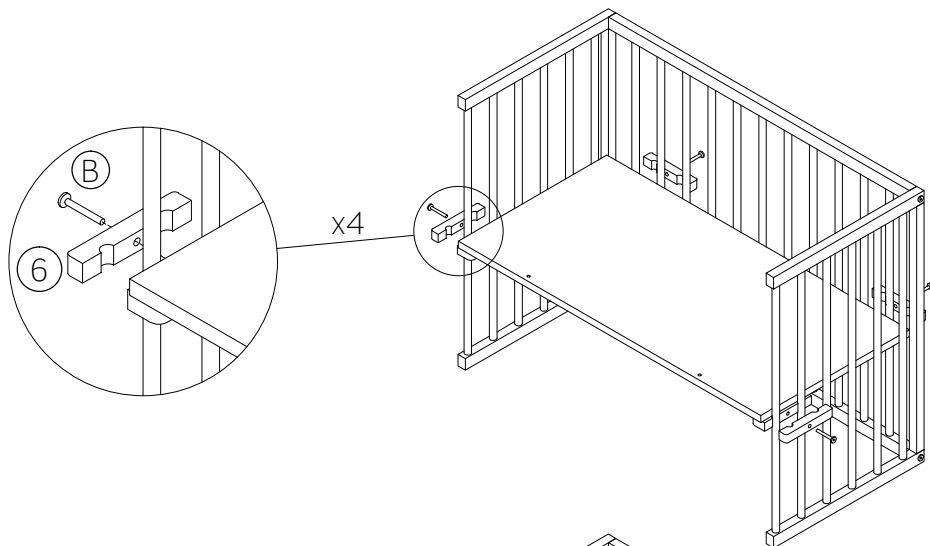


⑧ x2

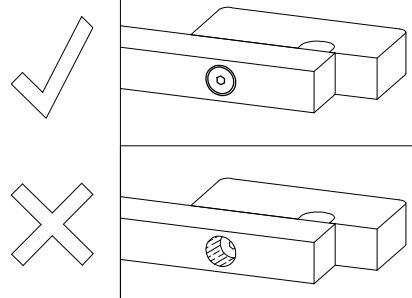
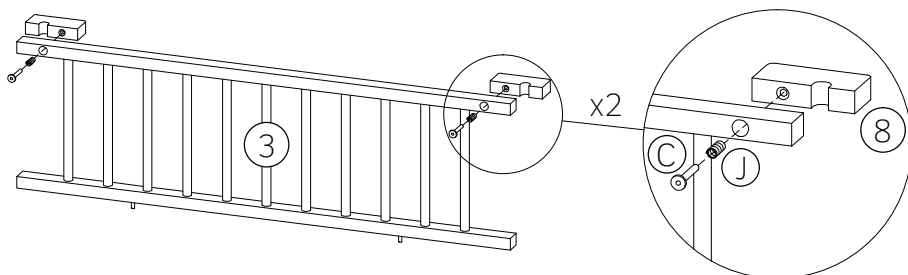




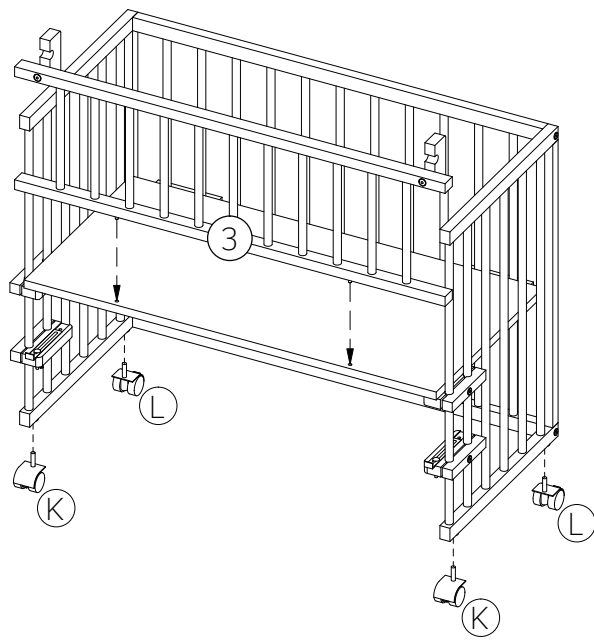
II



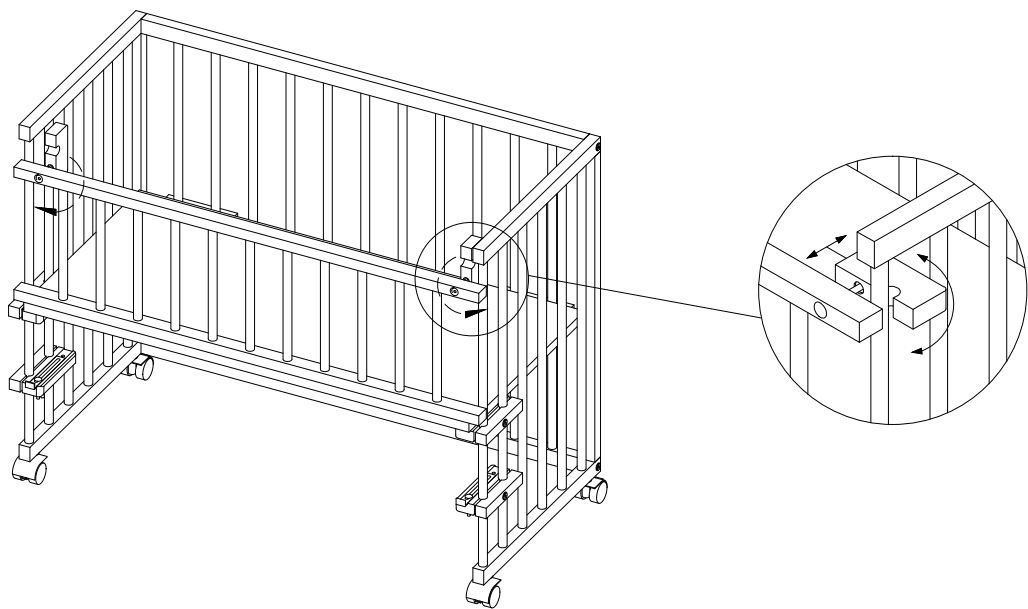
III



IV



V



VI

